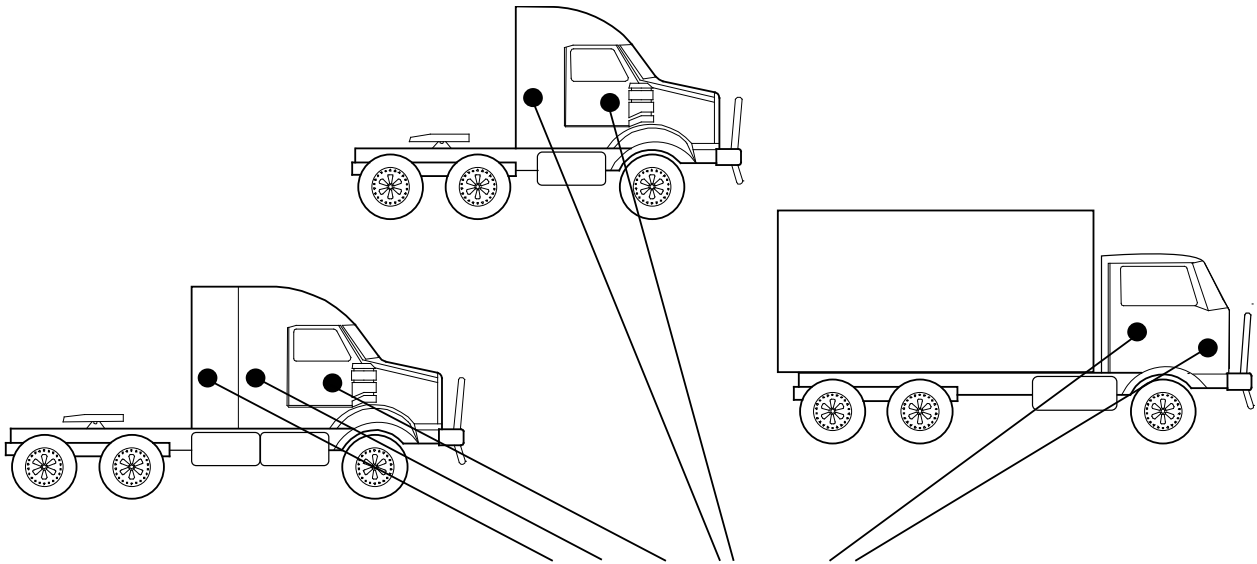




## Motor Vehicle Registry Information Bulletin

# V66 Placing Your Heavy Vehicle Accreditation Labels

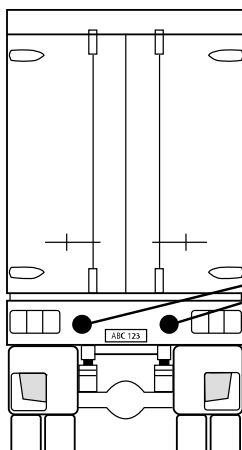


'Module' labels go on the "Accredited Operator" labels



On your **HAULING UNITS**, put the accreditation and module labels in clear view on, or adjacent to, the **driver's side door**.

The diagrams above show suggested locations for the labels.



On your **TRAILERS** put the trailer maintenance accreditation label in clear view on the **rear of the vehicle as near as possible to the licence plate**.

The diagram (left) indicates suggested locations for the label