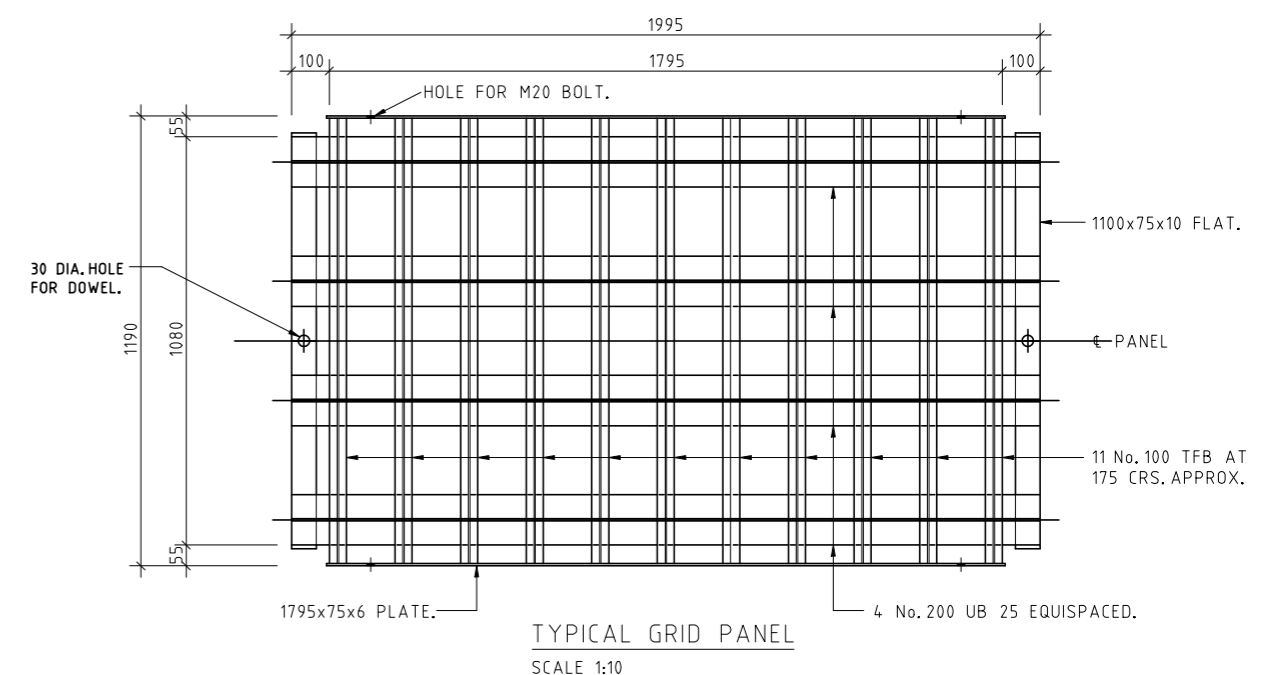
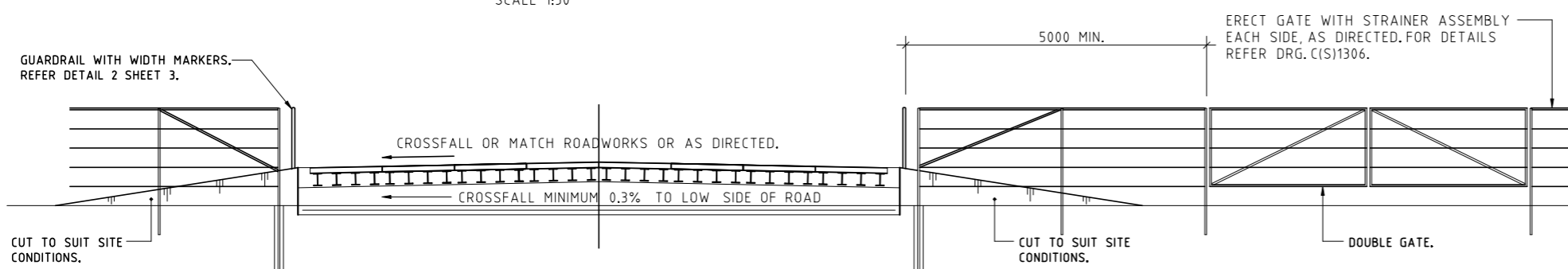


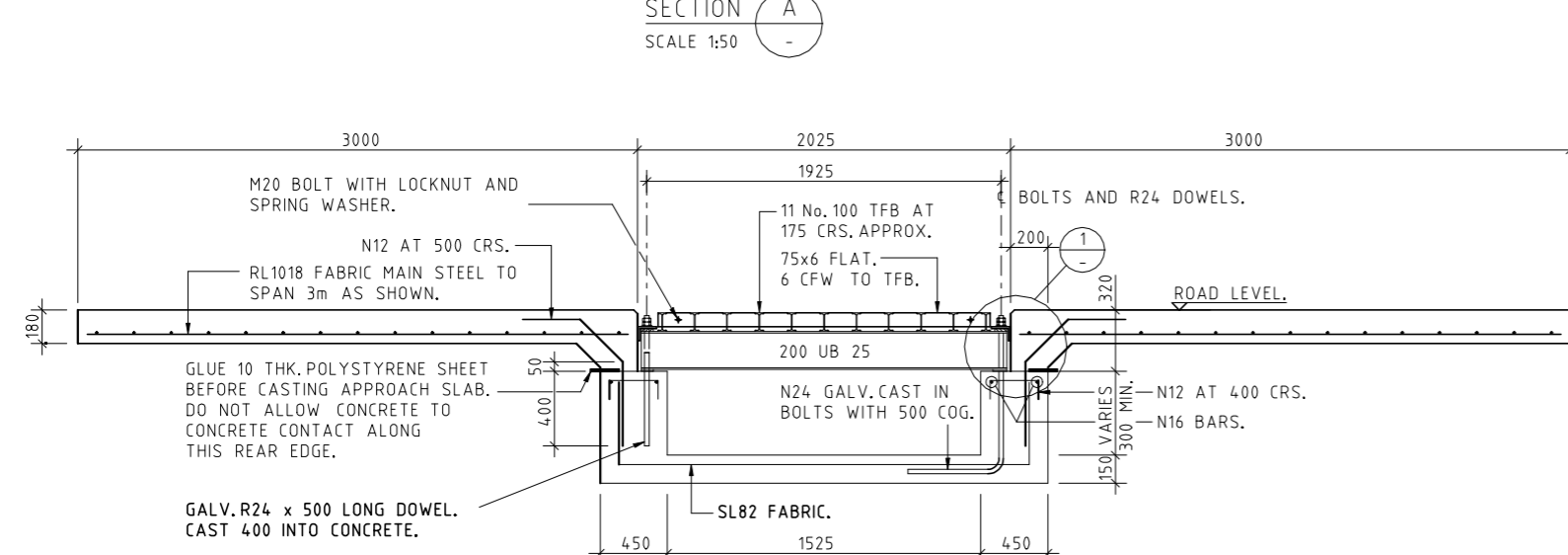
PLAN
SCALE 1:50



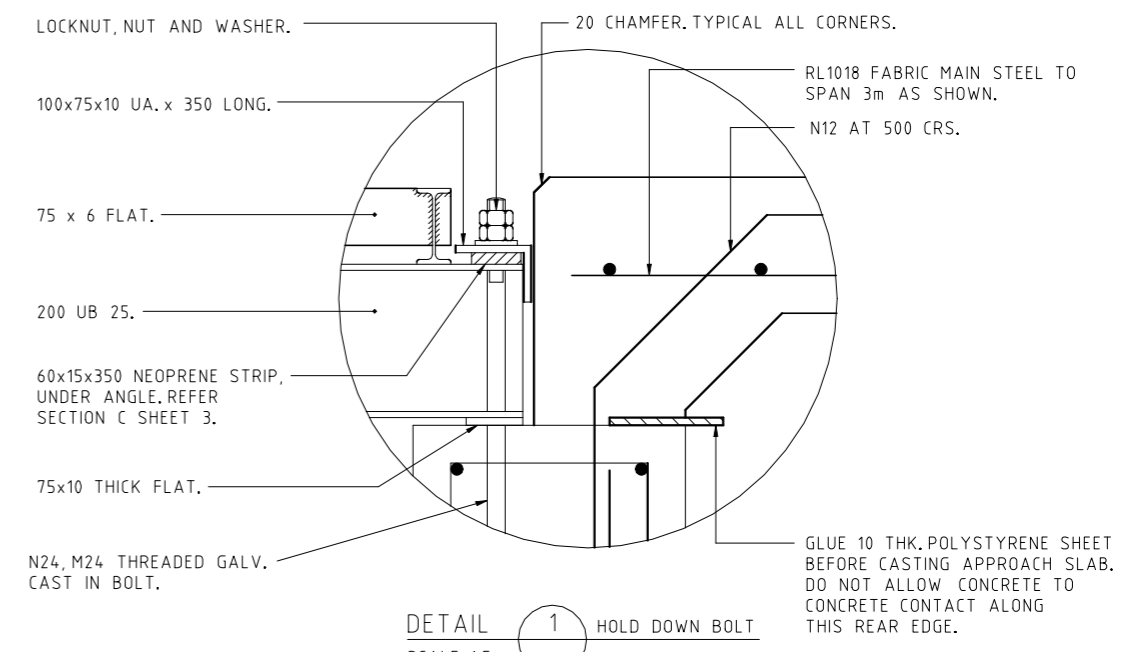
TYPICAL GRID PANEL
SCALE 1:10



SECTION A
SCALE 1:50



SECTION B
SCALE 1:20




DETAIL 1 HOLD DOWN BOLT
SCALE 1:5

READ IN CONJUNCTION WITH
C(S)1315 DETAILS

21/06/2006 9:26:07 AM X:\CIVIL STANDARD DRAWINGS\4 FENCES\C(S)1313-2.dgn

2 1	STEEL NOTES UPDATED	3/9/2003	S.H.W.	C(S)1315	STANDARD CATTLE GRID DETAILS	DRAWN	S.H.W.	CHECKED	
	GOVERNMENT DEPARTMENT LOGO ALTERED.	9/5/2002	S.H.W.			DATE	MARCH 96	DATE	
No.	DESCRIPTION	DATE	INIT.	No.	TITLE	DESIGNED	G.C.	CHECKED	
	AMENDMENTS				ASSOCIATED DOCUMENTS	DATE	MARCH 96	DATE	
						DESIGN PROJECT LEADER	G.A. Curran	PROJECT OFFICER	
						DATE	20/3/96	DATE	



Northern Territory Government
Department of Planning and Infrastructure

STANDARD DRAWING
STANDARD CATTLE GRID
PLAN AND SECTIONS WITH APPROACH SLAB

FILE No.	ASSET No.	SHEET No.	DRAWING No.	AMEND.	SHEET SIZE
		1 OF 3	C(S)1313 - 2		A1