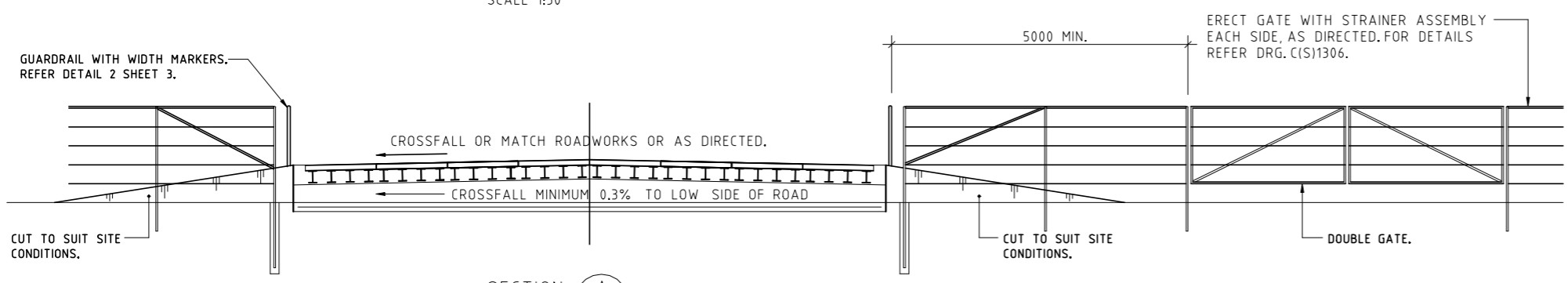
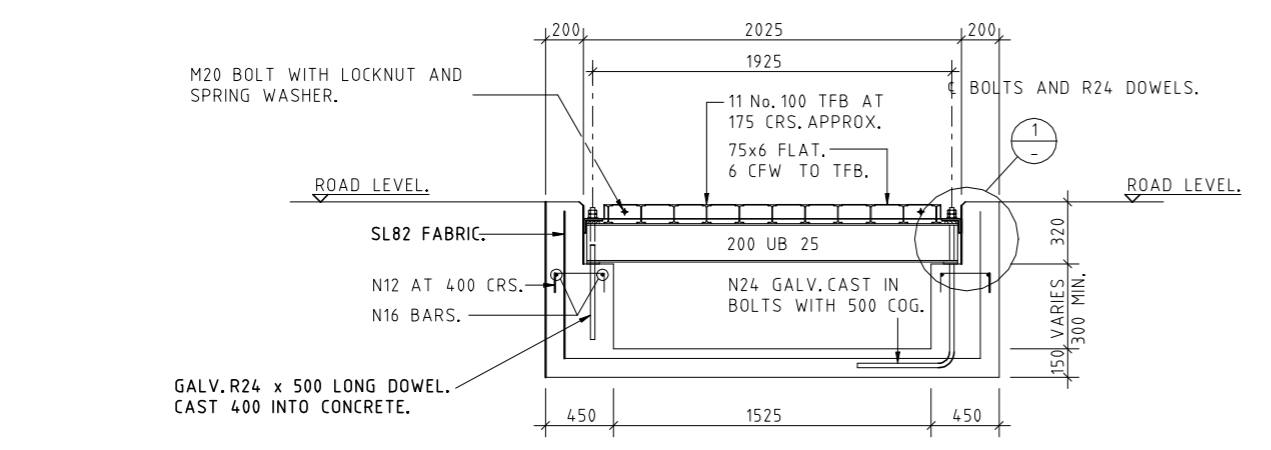


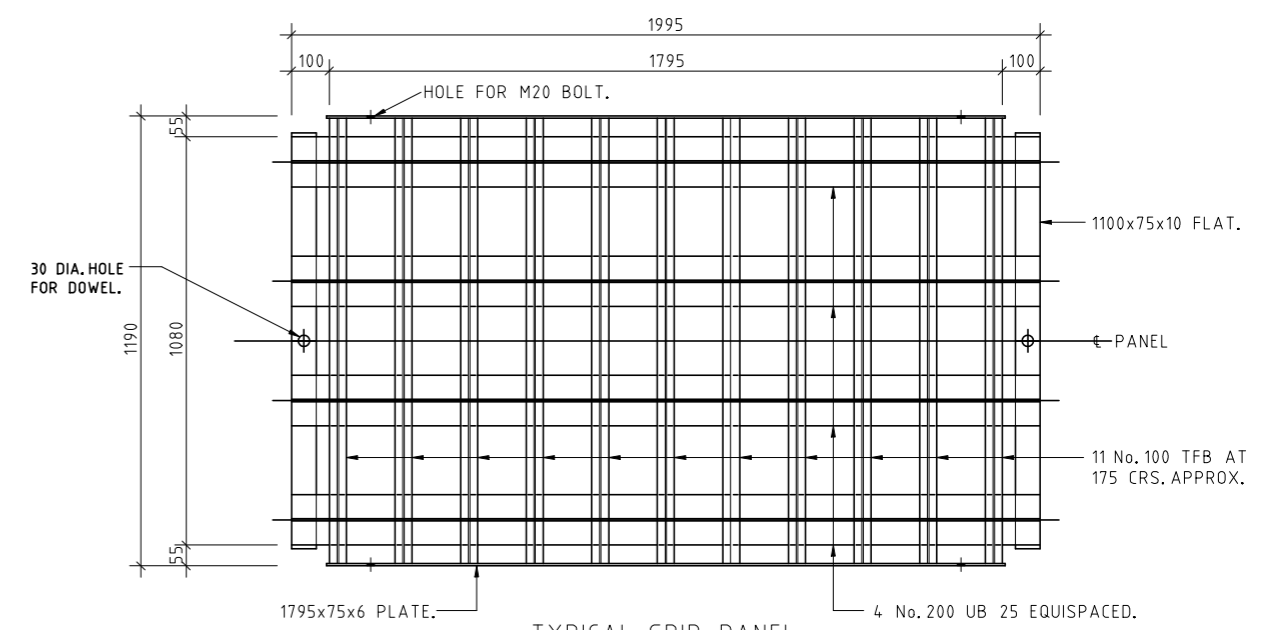
PLAN
SCALE 1:50



SECTION A
SCALE 1:50

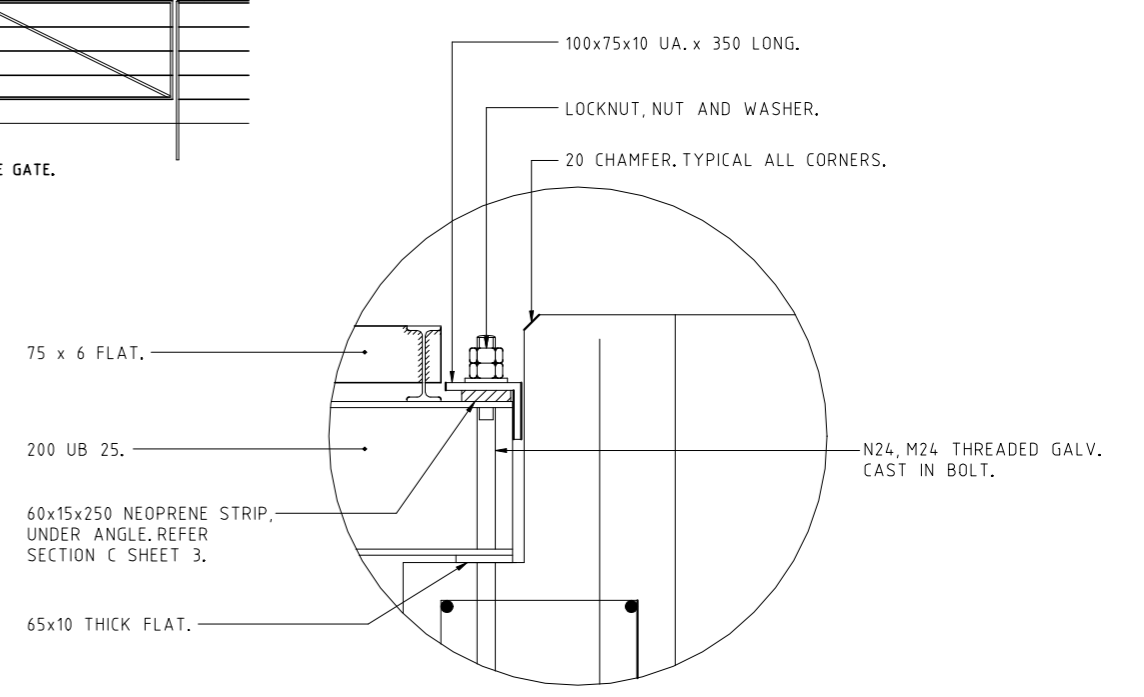


SECTION B
SCALE 1:20



TYPICAL GRID PANEL
SCALE 1:10

READ IN CONJUNCTION WITH
C(S)1315 DETAILS



DETAIL 1 HOLD DOWN BOLT
SCALE 1:5

21/06/2006 9:38:29 AM X:\CIVIL STANDARD DRAWINGS\4 FENCES\C(S)1314-2.dgn

No.	DESCRIPTION	DATE	INIT.	No.	TITLE
2	STEEL NOTES UPDATED	3/9/2003	S.H.W.		
1	GOVERNMENT DEPARTMENT LOGO ALTERED.	9/5/2002	S.H.W.		
AMENDMENTS					
			ASSOCIATED DOCUMENTS		

DRAWN	S.H.W.	CHECKED	
DATE	MARCH 96	DATE	
DESIGNED	G.C.	CHECKED	
DATE	MARCH 96	DATE	
DESIGN PROJECT LEADER		PROJECT OFFICER	
DATE	20/3/96	DATE	



STANDARD DRAWING STANDARD CATTLE GRID PLAN AND SECTIONS WITHOUT APPROACH SLAB				
FILE No.	ASSET No.	SHEET No.	DRAWING No.	AMEND.
		2 OF 3	C(S)1314 - 2	
				SHEET SIZE A1